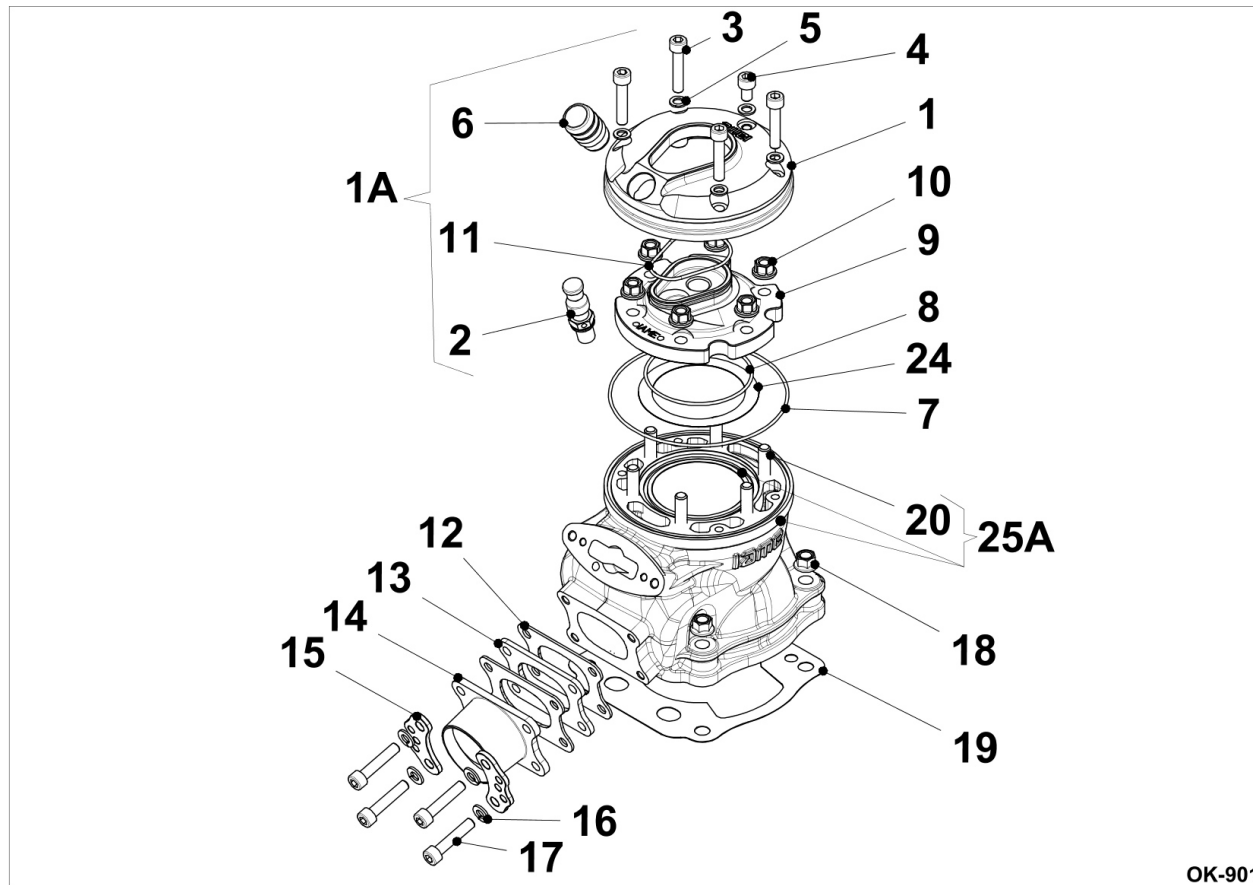


REEDSTER V - OK - 040-ES-66 - 2023



CYLINDER & CYLINDER HEAD



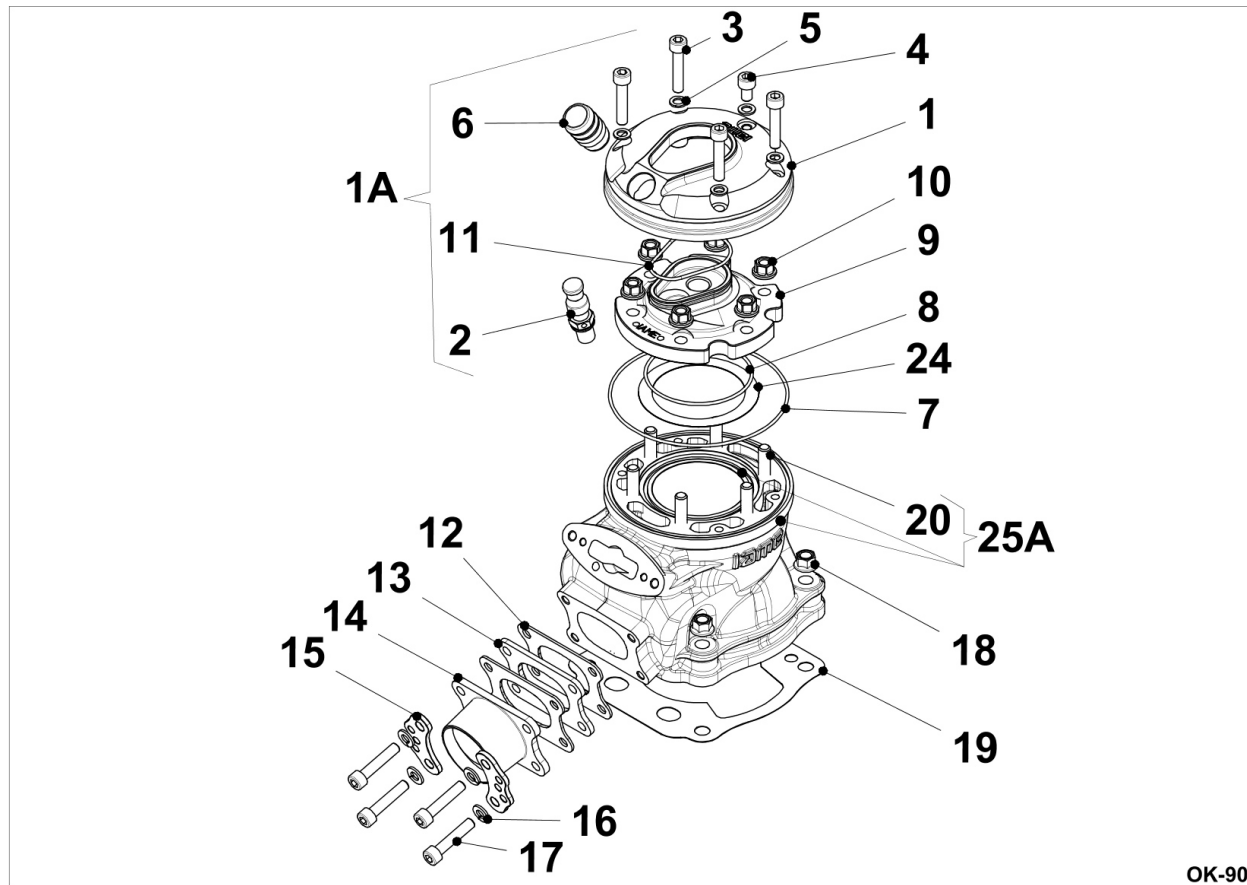
OK-901

GROUP CYLINDER & CYLINDER HEAD A

POS	COD	DESCR
001A	F2NA41000-C	CYLINDER HEAD COVER REEDSTER V OK/OKJ COMPLETE
01	F2NA41000	CYLINDER HEAD COVER REEDSTER V OK/OKJ
02	F1NA44000	DECOMPRESSOR OK/OKJ
03	00072-K	KIT 20 SCREWS TCCE M 6x30 INOX
04	00069-K	KIT 20 SCREWS TCCE M 6X10 INOX
05	00345-K	KIT 20 M6 Cu WASHERS

06	F2NA40500	WATER PIPE FITTING
07	F2NA40300	OR 2400 101.32x1.78 VITON
08	IFA-42200	HEAD GASKET INT. OR REEDST/KZ
09	F2NA40100	HEAD DOME REEDSTER V OK
10	Z2NA20300	HEAD NUT M7 INOX
11	F1NA42000	OR HEAD DOME/HEAD COVER
12	F2NA20500	EXHAUST GASKET OK '19
13	F2NH20500	EXHAUST SPACER REEDSTER V OK
14	F2NH02000	EXHAUST MANIFOLD REEDSTER V OK
15	F1NH20600	SPRINGS BRACKET
16	00331-K	KIT 20 EXHAUST WASHERS M6
17	00042-K	KIT 20 SCREWS TCCE 6x16
18	F2NA20300	FLANGED NUT M8
19	Z2NB10400-0.05	CYLINDER BASE GASKET KZ 5/100
19	Z2NB10400-0.1	CYLINDER BASE GASKET KZ 1/10
19	Z2NB10400-0.2	CYLINDER BASE GASKET KZ 2/10
19	Z2NB10400-0.3	CYLINDER BASE GASKET KZ 3/10
19	Z2NB10400-0.4	CYLINDER BASE GASKET KZ 4/10
19	Z2NB10400-0.5	CYLINDER BASE GASKET KZ 5/10
20	Z2NA20400	STUD BOLT INOX M 7 X 39
24	IFA-40200-0.025	HEAD GASKET CU 0.025 REED/KZ
24	IFA-40200-0.05	HEAD GASKET CU 0.05 REED/KZ
24	IFA-40200-0.10	HEAD GASKET CU 0.10 REED/KZ
24	IFA-40200-0.20	HEAD GASKET CU 0.20 REED/KZ

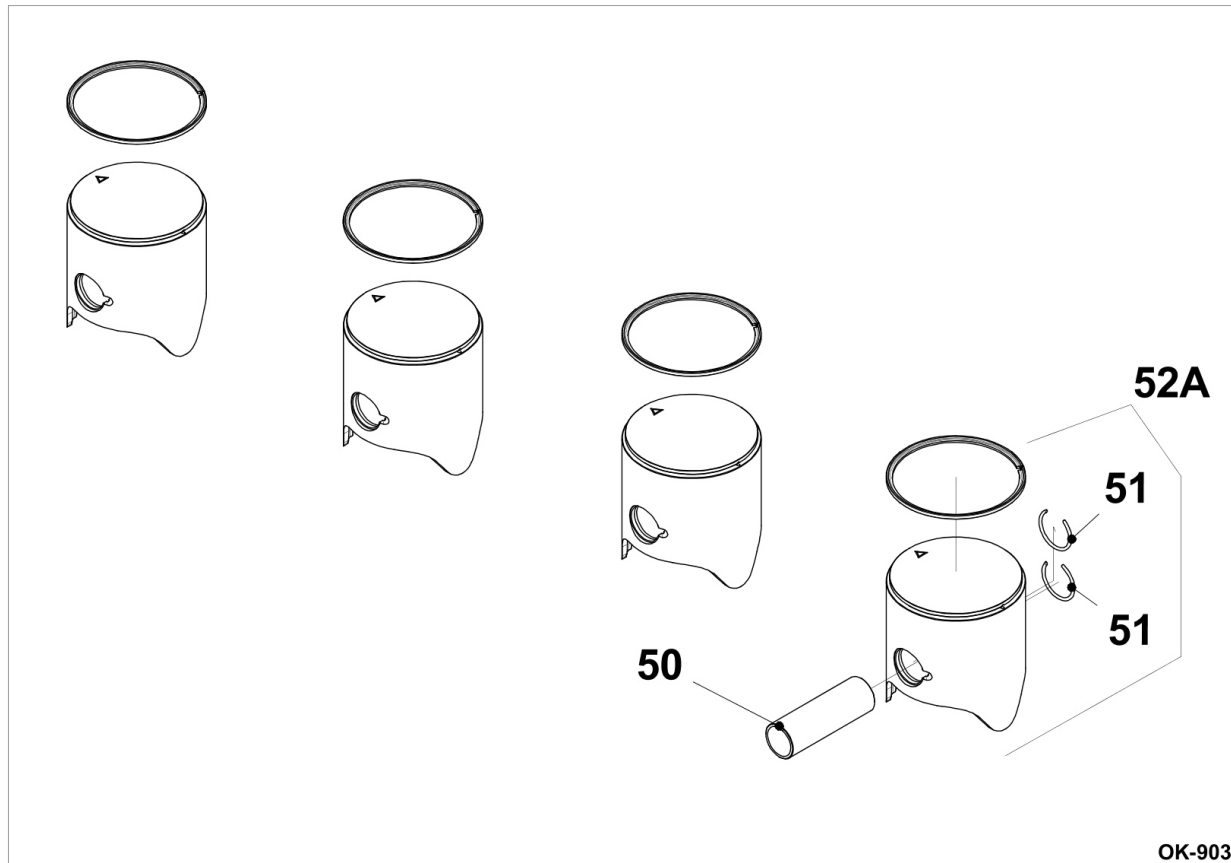
CYLINDER & CYLINDER HEAD



GROUP CYLINDER & CYLINDER HEAD B

POS	COD	DESCR
25A	F3NA01000	CYLINDER REEDSTER V OK 2023

PISTON



OK-903

GROUP

PISTON

POS

050

051

052A

052A

052A

052A

052A

COD

IFA-20950

IFA-21050

F1NA20602-53.77CV

F1NA20602-53.79CV

F1NA20602-53.81CV

F1NA20602-53.83CV

F1NA20602-53.85CV

DESCR

PISTON PIN 15x45

CIRCLIP REEDSTER/KZ

PISTON OK 53.77V

PISTON OK 53.79V

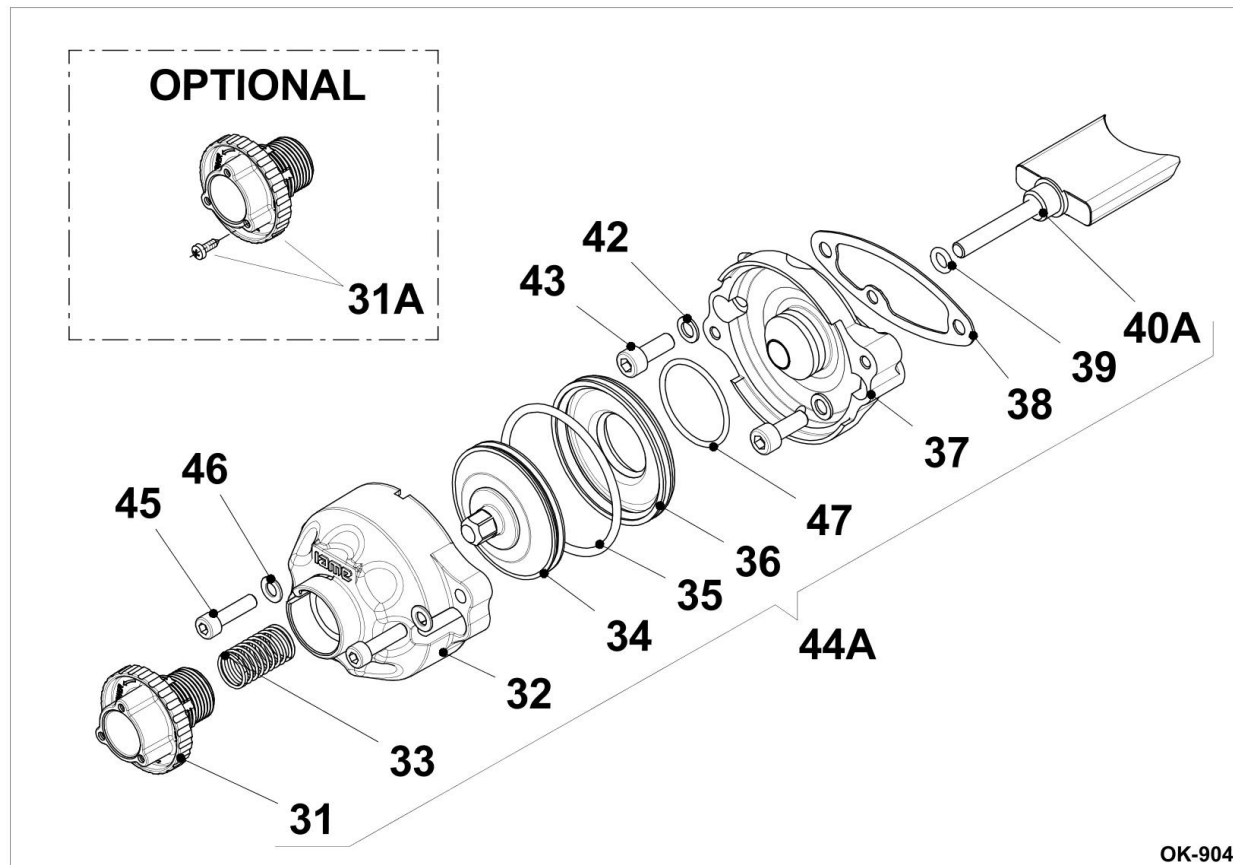
PISTON OK 53.81V

PISTON OK 53.83V

PISTON OK 53.85V

052A	F1NA20602-53.87CV	PISTON OK 53.87V
052A	F1NA20602-53.89CV	PISTON OK 53.89V
052A	F1NA20602-53.91CV	PISTON OK 53.91V
052A	F1NA20602-53.93CV	PISTON OK 53.93V

EXHAUST VALVE



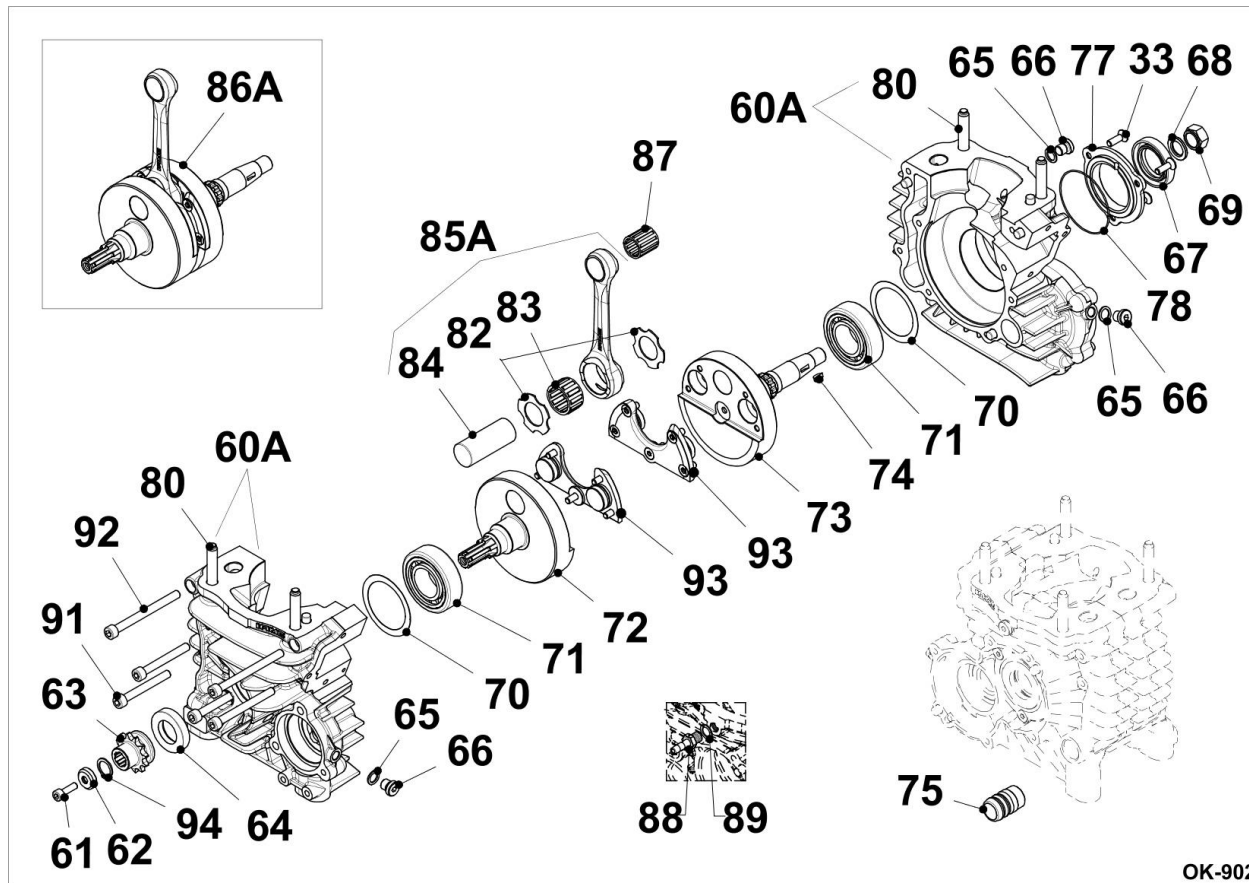
GROUP

EXHAUST VALVE

POS	COD	DESCR
031	IFA-81002A	VALVE ADJUSTING KNOB OK '19
032	IFA-80902A	VALVE COVER '19
033	F2NA80801	EXHAUST VALVE SPRING REEDSTER V OK '19
034	IFA-80601	PISTON FOR VALVE'08 REEDSTER
035	IFA-80702	AN. SPRING F1/2/4 REED/XTR'09
036	IFA-80501	DIAPHRAGM REEDSTER, GREEN

037	F3NA80400	EXHAUST VALVE SEAT REEDTER V OK 2023
038	F2NA81100	EXHAUST VALVE GASKET OK '19
039	F1NA82101	OR 6x2 METRIC NBR 70Sh SLIDE VALVE END
040A	F1NA80100	SLIDE VALVE OK
042	00345-K	KIT 20 M6 Cu WASHERS
043	00044-K	KIT 20 ALLEN SCR. CYL. H. 6x20
044A	F3NA08000	EXHAUST VALVE REEDSTER V OK COMPLETE 2023
045	00032-K	KIT OF 20 SCREWS TCCE 5x20
046	00301-K	KIT 20 WASHERS M5
047	IFA-81800	EXHAUST VALVE DIAPHRAGM O'RING

CRANCKCASE



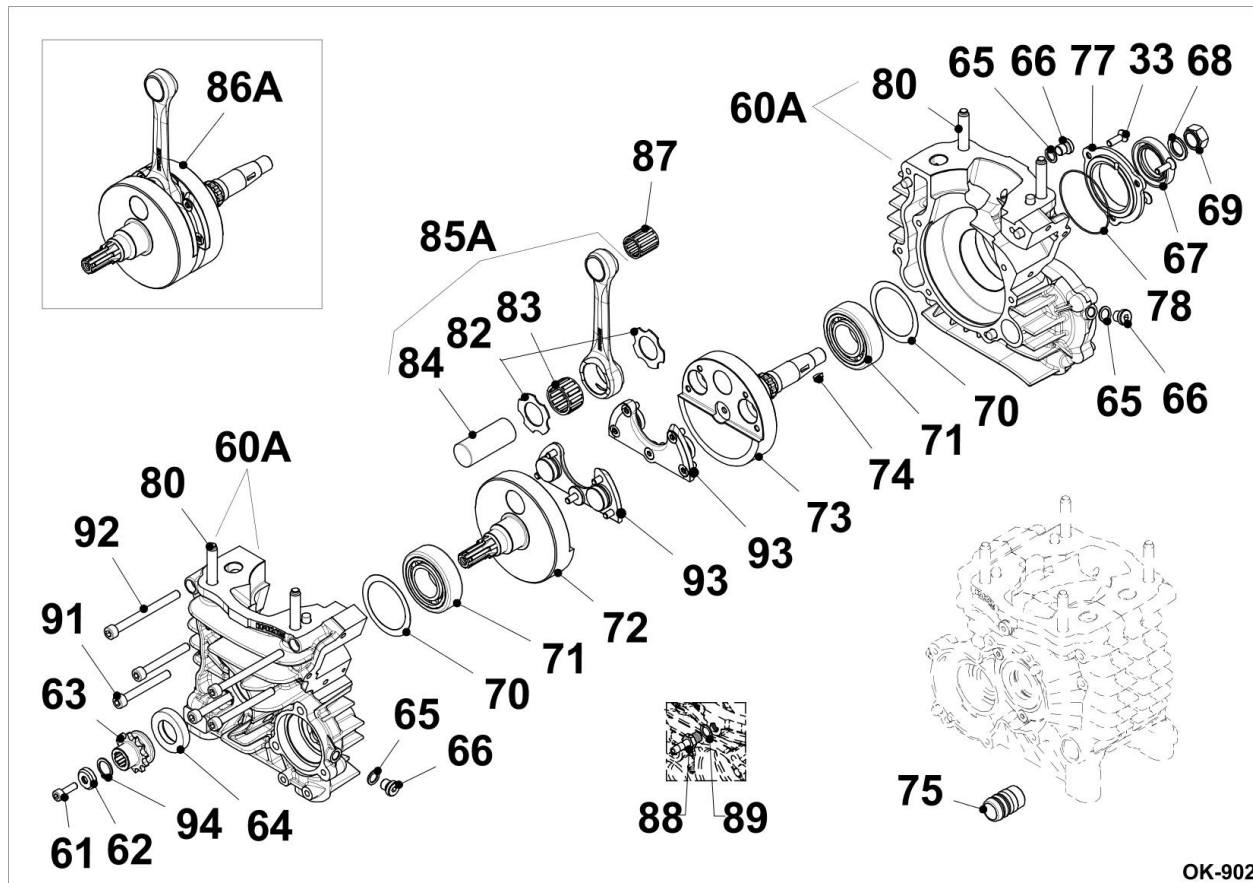
OK-902

GROUP CRANCKCASE A

POS	COD	DESCR
033	00113-K	KIT 20 SCREWS TS TORX M5x16
060A	F2NB01000	CRANKCASE REEDSTER V OK
061	00031-K	KIT OF 20 ALLEN SCREWS M5x16
062	F-100536	SHOULDER SHIM SPROCKET TOP
063	F1NF10100	SPROCKET OK/OKJ Z11
063	F1NF10101	SPROCKET OK/OKJ Z12

063	F1NF10102	SPROCKET OK/OKJ Z13
063	F1NF10103	SPROCKET OK/OKJ Z9
063	F1NF10104	SPROCKET OK/OKJ Z14
063	F1NF10105	SPROCKET OK/OKJ Z10
064	E-10426	OIL SEAL FPJ 20x35x7
065	F1NG60000	OIL BREATHER WASHER
066	X30125490	PRESSURE PLUG
067	X30125425A	OIL SEAL MAGN./DRIVE SIDE
068	D-75565	THRUST INT.WASHER H=1,8mm
069	10535	SPROCKET AND MAGNETO NUT
070	30404	STEEL SHIM 0.15
070	30407	STEEL SHIM 0.10
071	35398A	ROLLER BEARING 6205 BC1-1442D
072	F2NC20100	HALF CRANKSHAFT TRANS. SIDE REEDSTER V OK '19
073	F2NC30100	HALF CRANKSHAFT IGNITION SIDE REEDSTER V OK '19
074	11715	SHAFT END/SPROCKET/MAGNETO KEY
075	IFA-40500	WATER PIPE FITTING
077	F1NC80500	OIL SEAL SUPPORT
078	F1NB42000	OR OIL SEAL SUPPORT
080	IFA-20200	STUDBOLT M8x51
082	X30125436	SILVER BRONZE WASHER
083	X30125431	BIG END CAGE
084	S1699/1	CRANK PIN 20x48.8
085A	F1NC50100-C	CONROD 104mm OK/OKJ

CRANCKCASE



OK-902

GROUP CRANCKCASE

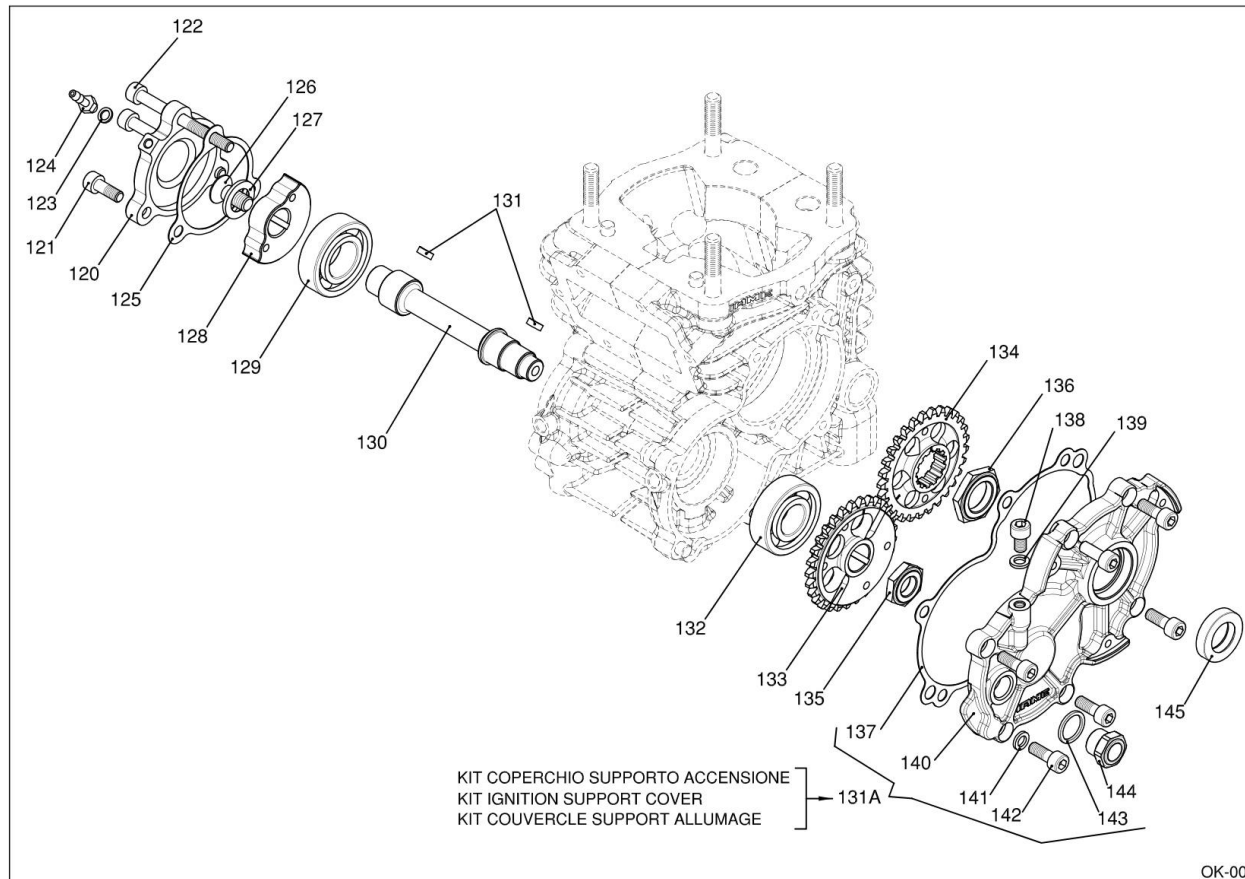
POS	COD	DESCR
086A	F2NC00100	CRANKSHAFT REEDSTER V OK '19
087	IFC-50350	SMALL END ROLLER CAGE
088	F1NG60000	OIL BREATHER WASHER
089	F1NG50000	OIL BREATHER
091	00050-K	KIT OF 20 ALLEN SCREWS 6x50
092	00053-K	20 SCREWS KIT M6X65

093
094

F2NC30200
F2NC90000

STUFFER OK D. 89mm
SEEGER A 13 UNI 7435

COUNTERSHAFT ASSY

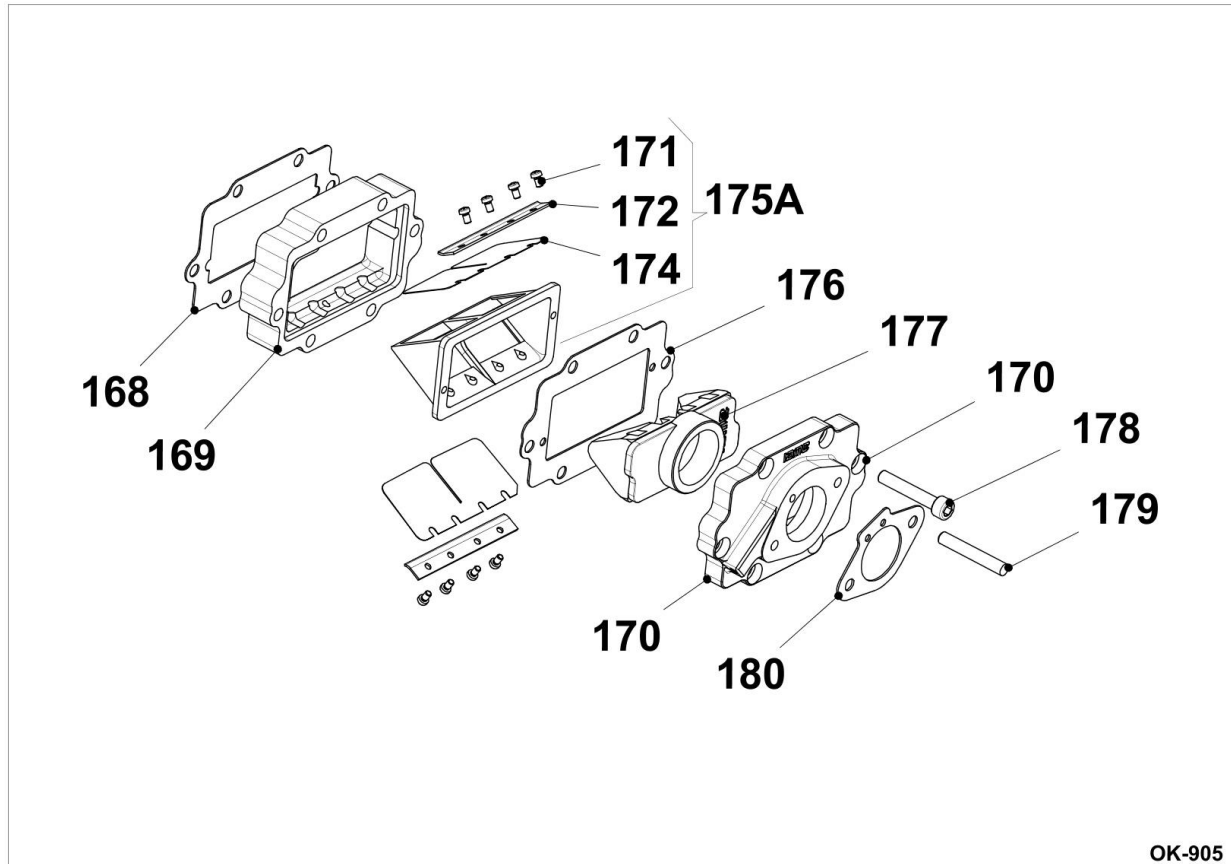


GROUP COUNTERSHAFT ASSY

POS	COD	DESCR
120	F1NB40601	BALANCED MASS COVER OK/OKJ
121	00042-K	KIT 20 SCREWS TCCE 6x16
122	00053-K	20 SCREWS KIT M6X65
123	F1NG60000	OIL BREATHER WASHER
124	VACANT	VACANT
125	F1NB45100	BAL. MASS COVER GASKET OK/OKJ

126	00139-K	KIT OF 20 ALLEN SCREWS 8x20
127	F1NC81000	BALANCED MASS WASHER
128	F1NC80900	BALANCED MASS
129	10402	BALL BEARING SKF 6004 TN9 C4
130	F1NC80000	MASS SUPPORT SHAFT OK/OKJ
131	11715	SHAFT END/SPROCKET/MAGNETO KEY
131A	000-VACANT	000-VACANT
132	IFB-20501	BALL BEARING 6203 C4
133	F1NC80800	MASS DRIVEN GEAR
134	F1NC80100	COUNTERSHAFT DRIVE GEAR
135	F1NC80200	MASS GEAR FIXING BOLT
136	IFC-80201	LOCKING NUT
137	F1NB41400	IGN. SIDE COVER GASKET OK/OKJ
138	00041-K	KIT 20 SCREWS M6x10
139	00345-K	KIT 20 M6 Cu WASHERS
140	F1NB40400	GEARS COVER OK/OKJ
141	00345-K	KIT 20 M6 Cu WASHERS
142	00042-K	KIT 20 SCREWS TCCE 6x16
144	IZB-90000	OIL LEVEL GAUGE
145	IFB-40800A	OIL SEAL KF1-2-3

INLET



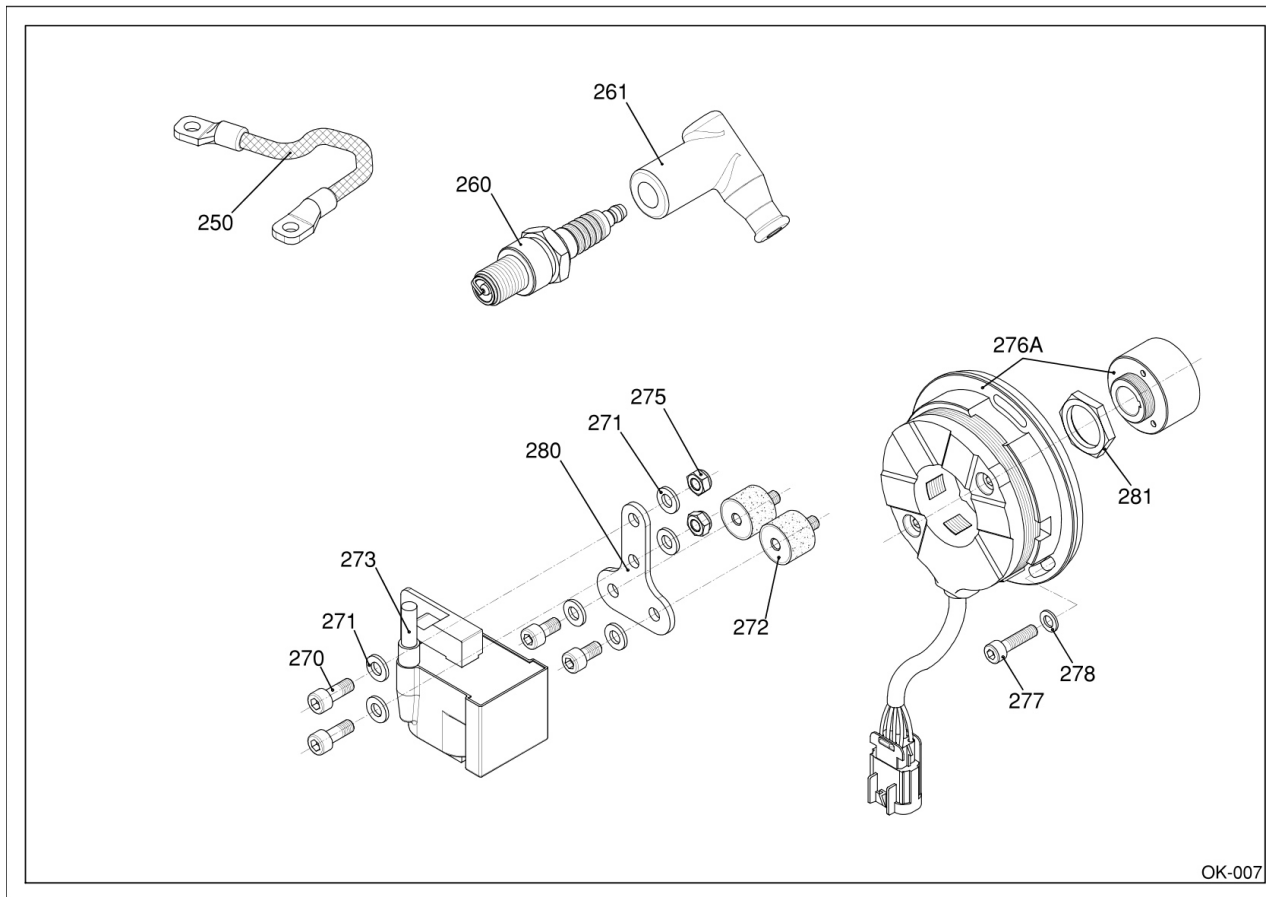
OK-905

GROUP INLET

POS	COD	DESCR
168	F1NB40800	REED BLOCK HOLDER GASKET
169	F1NB41600	REED BLOCK FLANGE HOLDER
170	F2NB41000	CONVEYOR REEDSTER V OK '19
171	10380	REEDS SCREW
172	IFG-20250	REEDSTER REEDS CLIP
174	IFG-20350-C2	CARBON PETALS KIT 0.26

175A	F1NG02000	REED BLOCK OK
176	F1NB41100	CONVEYOR GASKET REEDSTER
177	F2NB40900	CONVEYOR PYRAMID REEDSTER V OK/OKJ '19
178	00047-K	KIT OF 20 ALLEN SCREWS 6x35
179	10358	STUDBOLT 6x34
180	10360-B	CARBURETOR GASKET

IGNITION



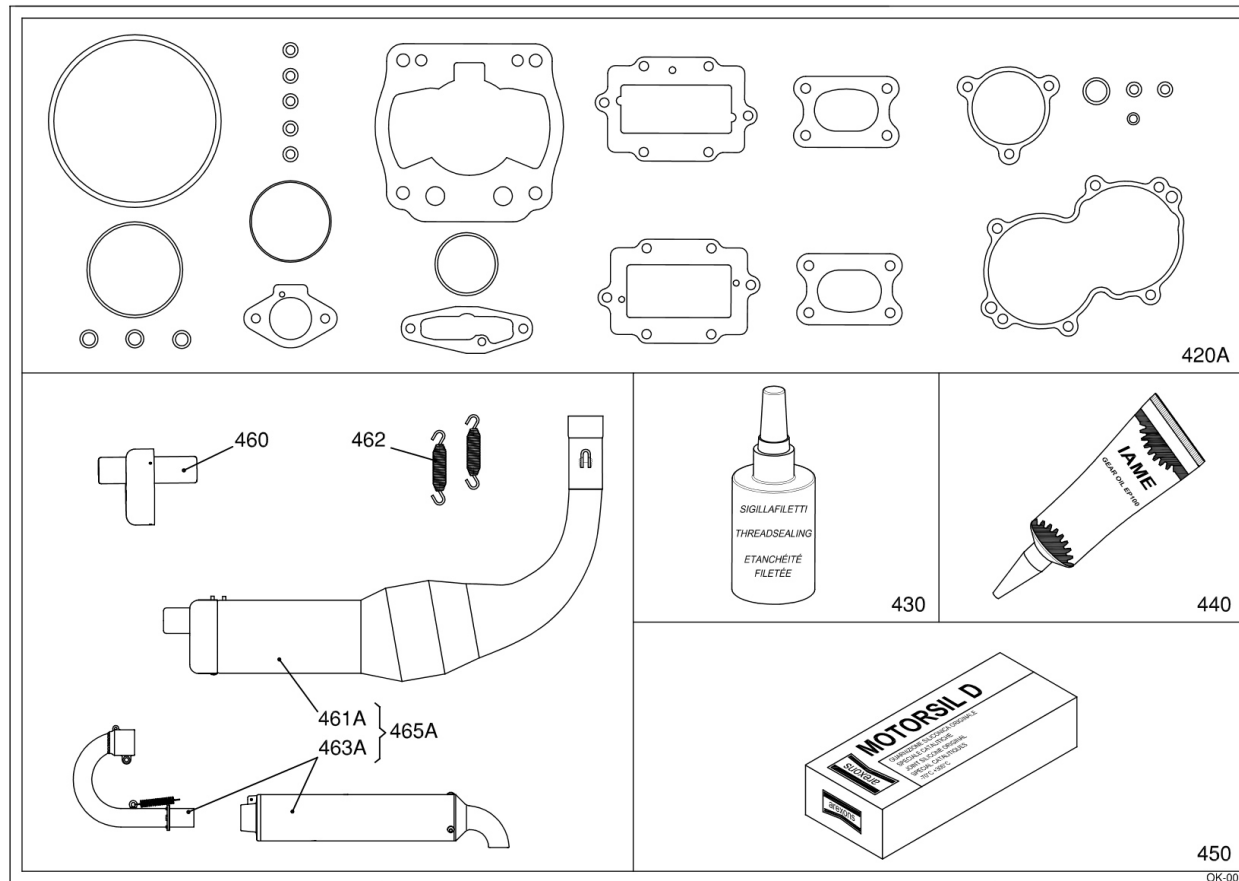
OK-007

GROUP IGNITION

POS	COD	DESCR
250	B-35805-A	COIL GROUND CABLE
260	10561-A	SPARK PLUG NGK BR10EG
261	10544	PVL SPARK PLUG CAP BLACK
270	00042-K	KIT 20 SCREWS TCCE 6x16
271	00302-K	KIT 20 WASHERS M6
272	X30125910	SILENT BLOCK BATTERY SUPPORT

273	F1NE03000V	ELECTRONIC BOX OK
275	00378-K	20 SELF LOCKING NUTS KIT M6
276A	F1NE02000	IGNITION PVL OK/OKJ
277	00032-K	KIT OF 20 SCREWS TCCE 5x20
278	IFE-20900	LOCK WASHER - STATOR
280	F1NE31200	IGN. COIL SUPPORT BRACKET
281	F2NE20200	ROTOR SECURITY LOCKING NUT

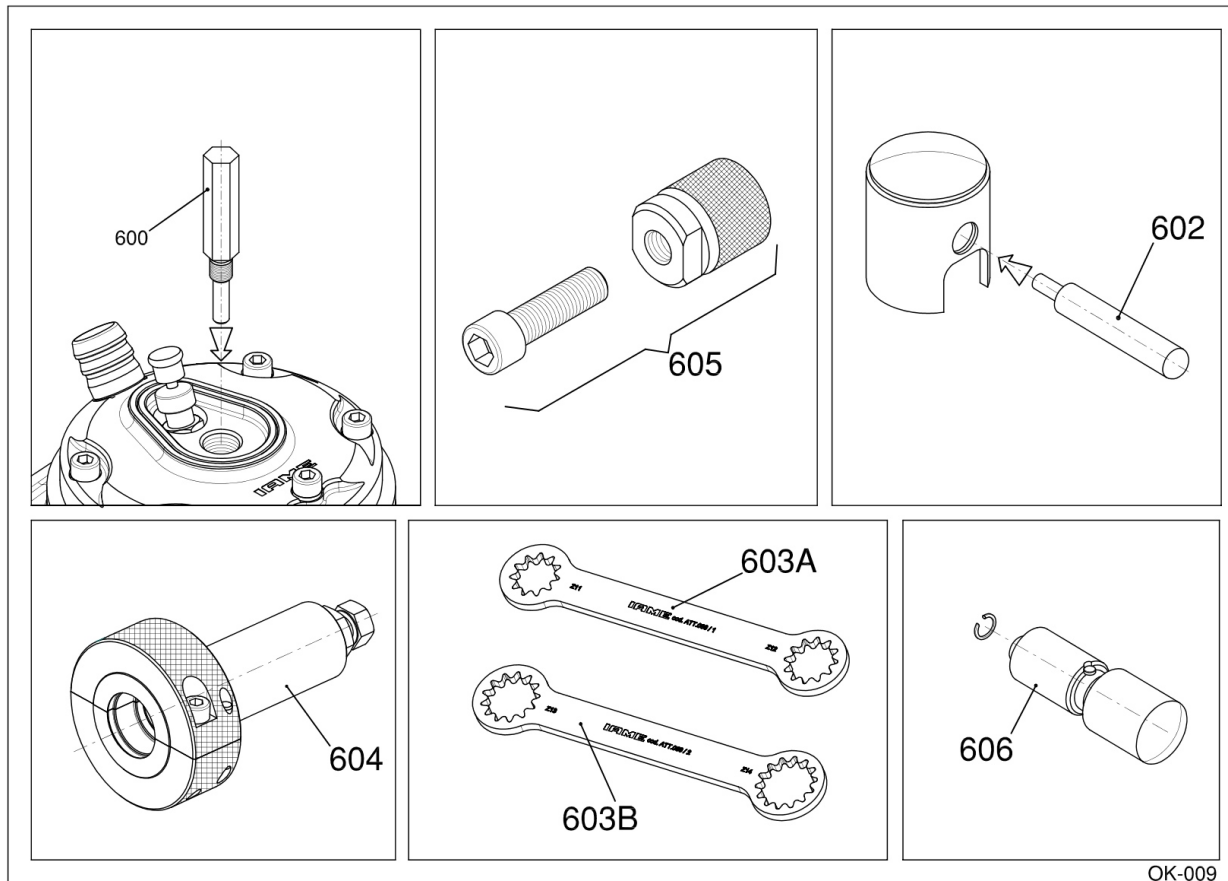
EXHAUST SYSTEM & GASKETS



GROUP EXHAUST SYSTEM & GASKETS

POS	COD	DESCR
420A	F2NZ00001	GASKET SET REEDSTER V OK
430	00600	PIPE FITTING SEAL
440	00606	GEAR G-EP100 WLAD.
450	00602	GASKET AREXON
460	10721-A	SILENCER END
461A	F3NH04000	EXHAUST REEDSTER V OK
462	IFH-55101	EXHAUST SPRING

TOOLS



OK-009

GROUP TOOLS

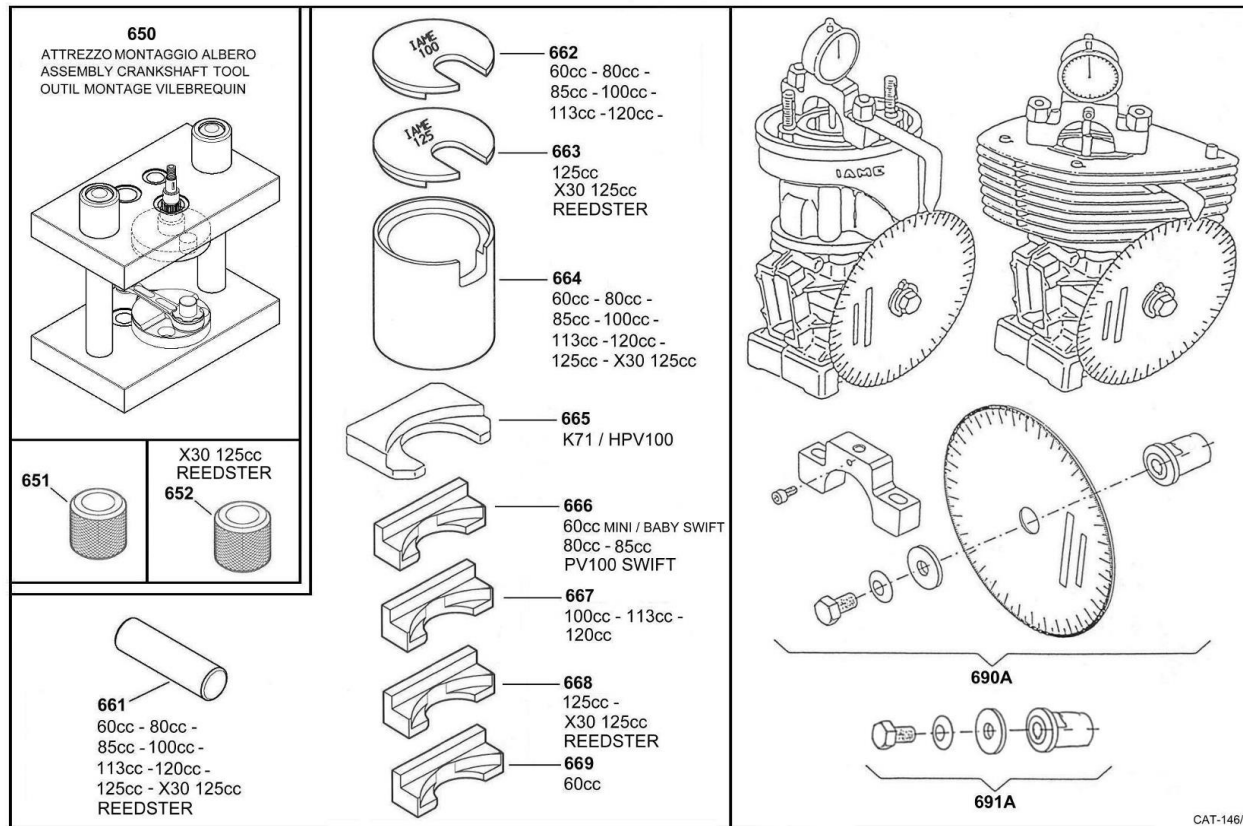
POS	COD	DESCR
600	10271	PISTON STROKE LOCKER
601A	ATT-010	GEAR PULLER REEDSTER
602	ATT-017	PISTON PIN PUNCH d.15mm
603A	ATT-066/1	SPROCKET LOCKING TOOL Z11/Z12
603B	ATT-066/2	SPROCKET LOCKING TOOL Z13/Z14
604	ATT-048	BEARING RING PULLER

605
606

ATT-009
ATT-006

IGNITION PULLER REEDSTER
CIRCLIP 15mm ASSEM.TOOL

Cranksh.Ass./Disass. Timing control group



GROUP Cranksh.Ass./Disass. Timing control group

POS	COD	DESCR
650	10110A	CRANKSHAFT ASSY TOOL
652	10150A	CRANK-PIN BUSH 20mm
661	10107	CRANK-PIN PUSHER
663	10104A	CRANKSHAFT PLATE 125cc
664	10100	CRANKSH. DISASSY SUPPORT
668	10106B	CRANKSHAFT INSERT OK/OKJ

690A
691A

10820A
ATT-014-C

TIMING CHECK DISC TaG/REEDSTER
COMPLETE TIMING GROUP ADAPTER